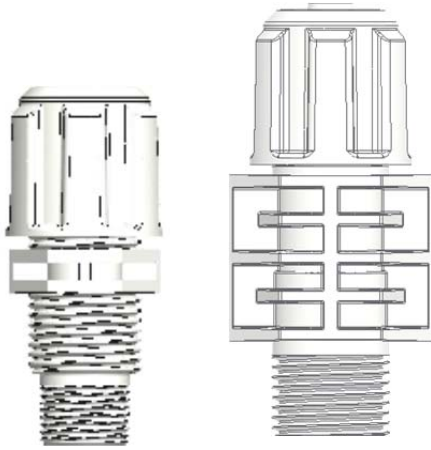


ACCESSORIES

INJECTION VALVE – Solenoid Pumps



Technical characteristics

These items are available in FIXED (more or less 0.2 bar) option, with PVDF or PVDF-T body, FPM or EPDM seals, spring in Hastelloy C276, ball in Ceramic, connection for Ø4/6, Ø8x12mm, or inch size tube.

Their main use, with the non-return valve function, it is in the presence of back pressure on the system, or in applications where it is necessary to ensure a constant flow rate in case of lack of injection line pressure.

CODE	BODY MATERIAL	GASKET	INPUT FITTING	OUTPUT FITTING	DIMENSIONAL DRAWINGS
EM99071145	PVDF-T	FPM	Ø4x6	G 1/2 – G 3/8	
EM99071146	PVDF-T	EPDM	Ø4x6	G 1/2 – G 3/8	
EM99071166	PVDF	FPM	Ø4x6	G 1/2 – G 3/8	
EM99071167	PVDF	EPDM	Ø4x6	G 1/2 – G 3/8	
EM99071172	PVDF	FPM	Ø4x7	G 1/2 – G 3/8	
EM99071173	PVDF	EPDM	Ø4x7	G 1/2 – G 3/8	
EM99071174	PVDF-T	FPM	Ø4x7	G 1/2 – G 3/8	
EM99071175	PVDF-T	EPDM	Ø4x7	G 1/2 – G 3/8	
EM99107978	PVDF-T	FPM	Ø4x6	NPT 1/4	
EM99071164	PVDF	FPM	Ø11/64"x1/4"	NPT 1/2	
EM99071058	PVDF	FPM	Ø4x6	G 1/2 – G 3/8 1,5 bar	

CODE	BODY MATERIAL	GASKET	INPUT FITTING	OUTPUT FITTING	DIMENSIONAL DRAWINGS
EM99071153	PVDF	FPM	Ø8x12	G 1/2	
EM99071154	PVDF	EPDM	Ø8x12	G 1/2	
EM99071155	PVDF-T	FPM	Ø8x12	G 1/2	
EM99071156	PVDF-T	EPDM	Ø8x12	G 1/2	
EM99071157	PVDF	FPM	Ø5/16"x7/16"	NPT 1/2	
EM99071191	PVDF	FPM	Ø8x12	G 1/2 - 1,5 bar	